

Unique Window Systems Ltd

87 Parker Drive
Leicester
Leicestershire LE4 0JP

Tel: 0116 236 4656 Fax: 0116 234 1770

e-mail: sales@uws.co.uk

website: www.uws.co.uk



Agrément Certificate

15/5186

Product Sheet 1

EUROCELL PVC-U DOOR SYSTEMS

EUROLOGIK 70 FRENCH DOOR SYSTEM

This Agrément Certificate Product Sheet⁽¹⁾ relates to the EuroLogik 70 French Door System, fully glazed in white, cream or woodgrain finish, for use in new and existing dwellings, light commercial premises and similar habitable applications as secondary access doors.

(1) Hereinafter referred to as 'Certificate'.

CERTIFICATION INCLUDES:

- factors relating to compliance with Building Regulations where applicable
- factors relating to additional non-regulatory information where applicable
- independently verified technical specification
- assessment criteria and technical investigations
- design considerations
- installation guidance
- regular surveillance of production
- formal three-yearly review.



KEY FACTORS ASSESSED

Thermal properties — the thermal transmittance value (U value) of a French door from within the range was calculated as $1.5 \text{ W} \cdot \text{m}^{-2} \cdot \text{K}^{-1}$ (see section 6).

Weathertightness — the doors can be used in the exposure situations described in this Certificate (see section 7).

Ventilation — the doors can provide rapid ventilation (see section 8).

Unauthorised access — doors from within the range can contribute to preventing unauthorised access to dwellings, light commercial premises and similar habitable applications (see section 9).

Access — doors fitted with a low threshold and that have an appropriate clear opening width will satisfy the national Building Regulations (see section 11).

Durability — the doors will continue to function satisfactorily for a period in excess of 35 years subject to the necessary maintenance (see sections 16 and 17).



The BBA has awarded this Certificate to the company named above for the system described herein. This system has been assessed by the BBA as being fit for its intended use provided it is installed, used and maintained as set out in this Certificate.

On behalf of the British Board of Agrément

John Albon – Head of Approvals
Construction Products

Claire Curtis-Thomas
Chief Executive

Date of Second issue: 8 March 2019

Originally certificated on 10 February 2015

The BBA is a UKAS accredited certification body – Number 113.

The schedule of the current scope of accreditation for product certification is available in pdf format via the UKAS link on the BBA website at www.bbacerts.co.uk
Readers are advised to check the validity and latest issue number of this Agrément Certificate by either referring to the BBA website or contacting the BBA direct.

Any photographs are for illustrative purposes only, do not constitute advice and should not be relied upon.

British Board of Agrément

Bucknalls Lane
Watford
Herts WD25 9BA

©2019

tel: 01923 665300
clientservices@bbacerts.co.uk
www.bbacerts.co.uk

In the opinion of the BBA, the EuroLogik 70 French Door System, if installed, used and maintained in accordance with this Certificate, can satisfy or contribute to satisfying the relevant requirements of the following Building Regulations (the presence of a UK map indicates that the subject is related to the Building Regulations in the region or regions of the UK depicted):



The Building Regulations 2010 (England and Wales) (as amended)

<p>Requirement: Comment:</p>	<p>C2(b)</p>	<p>Resistance to moisture The system has adequate resistance to the ingress of rain and wind-driven spray and so can contribute towards satisfying this Requirement. See section 7.2 of this Certificate.</p>
<p>Requirement: Comment:</p>	<p>C2(c)</p>	<p>Resistance to moisture The system will not constitute a significant condensation risk and so can contribute towards satisfying this Requirement. See section 12.1 of this Certificate.</p>
<p>Requirement: Comment:</p>	<p>F1 (1)</p>	<p>Means of ventilation The system can contribute to natural purge ventilation. See section 8.1 of this Certificate.</p>
<p>Requirement: Comment:</p>	<p>K4(a)(b)</p>	<p>Protection against impact with glazing (applicable to England only) Doors fitted with safety glass can satisfy this Requirement. See section 13.1 of this Certificate.</p>
<p>Requirement: Comment:</p>	<p>L1(a)(i)</p>	<p>Conservation of fuel and power The system can contribute to satisfying this Requirement. See section 6.1 of this Certificate.</p>
<p>Requirement: Comment:</p>	<p>M1</p>	<p>Access and use of buildings other than dwellings Doors fitted with accessible (low) thresholds will satisfy this Requirement. See section 11 of this Certificate.</p>
<p>Requirement: Comment:</p>	<p>M2</p>	<p>Access to extensions to buildings other than dwellings Doors fitted with accessible (low) thresholds will satisfy this Requirement. See section 11 of this Certificate.</p>
<p>Requirement: Comment:</p>	<p>M4(1)</p>	<p>Visitable dwelling – Access and use [applicable to England (dwellings only)] Doors fitted with accessible (low) thresholds will contribute to satisfying this Requirement subject to the required clear opening width. See section 11 of this Certificate.</p>
<p>Requirement: Comment:</p>	<p>M4(2)</p>	<p>Accessible and adaptable dwellings (optional requirement) [applicable to England (dwellings only)] Doors fitted with accessible (low) thresholds will contribute to satisfying this Requirement subject to the required clear opening width. See section 11 of this Certificate.</p>
<p>Requirement: Comment:</p>	<p>M4(3)</p>	<p>Wheelchair user dwellings (optional requirement) [applicable to England (dwellings only)] Doors fitted with accessible (low) thresholds will contribute to satisfying this Requirement subject to the required clear opening width. See section 11 of this Certificate.</p>

Requirement: Comment:	N1	Protection against impact (applicable to Wales only) Doors fitted with safety glass can satisfy this Requirement. See section 13.1 of this Certificate.
Requirement: Comment:	Q1	Unauthorised access (applicable to England only) The doors, as described in the Enhanced Security Sheet (ES1), can satisfy this Requirement for new dwellings. See section 9.3 of this Certificate.
Regulation: Comment:	7 7(1)	Materials and workmanship (applicable to Wales only) Materials and workmanship (applicable to England only) The system is acceptable. See sections 17.1 and 17.2 and the <i>Installation</i> part of this Certificate.
Regulation: Regulation: Regulation: Regulation: Comment:	26 26A 26A 26B	CO₂ emission rates for new buildings Fabric energy efficiency rates for new dwellings (application to England only) Primary energy consumption rates for new buildings (applicable to Wales only) Fabric performance values for new dwellings (application to Wales only) The system can contribute to satisfying these Regulations. See section 6.1 of this Certificate.



The Building (Scotland) Regulations 2004 (as amended)

Regulation: Comment:	8(1)(2)	Durability, workmanship and fitness of materials The system can contribute to a construction satisfying this Regulation. See sections 16.1 to 16.4 and 17.1 and 17.2 and the <i>Installation</i> part of this Certificate.
Regulation: Standard: Comment:	9 2.9	Building standards applicable to construction Escape Doors fitted with a thumb turn lock can satisfy this Standard, with reference to clause 2.9.0 ⁽¹⁾ and 2.9.18 ⁽²⁾ . See section 13.3 of this Certificate.
Standard: Comment:	3.10	Precipitation The system has adequate resistance to the ingress of rain and wind-driven spray and so can contribute towards satisfying this Standard, with reference to clause 3.10.1 ⁽¹⁾ . See section 7.2 of this Certificate.
Standard: Comment:	3.14	Ventilation The system can contribute to natural ventilation, with reference to clauses 3.14.2 ⁽¹⁾ and 3.14.3 ⁽¹⁾ of this Standard. See section 8.1 of this Certificate.
Standard: Comment:	3.15	Condensation The system will not constitute a significant condensation risk and so can contribute towards the wall satisfying this Standard with reference to clauses 3.15.1 ⁽¹⁾ , 3.15.4 ⁽¹⁾ and 3.15.5 ⁽¹⁾ . See section 12.1 of this Certificate.
Standard: Comment:	3.16	Natural lighting In calculating the contribution of the system to natural lighting, with reference to clauses 3.16.1 ⁽¹⁾ and 3.16.3 ⁽¹⁾ of this Standard, the area of glazing can be calculated in accordance with section 10 of this Certificate.
Standard: Comment:	4.1	Access to buildings Doors fitted with accessible (low) thresholds will contribute to satisfying this Standard subject to the required opening width, with reference to clause 4.1.9 ⁽¹⁾⁽²⁾ . See section 11 of this Certificate.
Standard: Comment:	4.8(a)(b)	Danger from accidents Doors fitted with safety glass can satisfy this Standard, with reference to clause 4.8.2 ⁽¹⁾ . See section 13.1 of this Certificate.

Standard:	4.13	Security
Comment:		The doors, as described in the Enhanced Security Sheet (ES1) for Product sheet 1, can satisfy this Standard with reference to clause 4.13.1(c) ⁽¹⁾ . See section 9.3 of this Certificate.
Standard:	6.1(b)	Carbon dioxide emissions
Standard:	6.2	Building insulation envelope
Comment:		The system can contribute to satisfying these Standards, with reference to clauses 6.1.1 ⁽¹⁾ , 6.1.2 ⁽¹⁾ , 6.1.4 ⁽²⁾ , 6.1.6 ⁽¹⁾ , 6.1.7 ⁽¹⁾ , 6.2.1 ⁽¹⁾⁽²⁾ , 6.2.4 ⁽²⁾ , 6.2.6 ⁽¹⁾ , 6.2.7 ⁽¹⁾ , 6.2.8 ⁽²⁾ , 6.2.9 ⁽¹⁾⁽²⁾ , 6.2.11 ⁽¹⁾⁽²⁾ and 6.2.13 ⁽¹⁾⁽²⁾ . See section 6.1 of this Certificate.
Standard:	7.1(a)(b)	Statement of sustainability
Comment:		The system can contribute to satisfying the relevant requirements of Regulation 9, Standards 1 to 6, and therefore will contribute to a construction meeting a bronze level of sustainability as defined in this Standard. In addition, the system can contribute to a construction meeting a higher level of sustainability as defined in this Standard, with reference to clauses 7.1.4 ⁽¹⁾⁽²⁾ [Aspects 1 ⁽¹⁾⁽²⁾ and 2 ⁽¹⁾], 7.1.6 ⁽¹⁾⁽²⁾ [Aspects 1 ⁽¹⁾⁽²⁾ and 2 ⁽¹⁾] and 7.1.7 ⁽¹⁾⁽²⁾ [Aspect 1 ⁽¹⁾⁽²⁾]. See section 6.1 of this Certificate.
Regulation:	12	Building standards applicable to conversions
Comment:		Comments in relation to the system under Regulation 9, Standards 1 to 6, also apply to this Regulation, with reference to clause 0.12.1 ⁽¹⁾ and Schedule 6 ⁽¹⁾ .

(1) Technical Handbook (Domestic).

(2) Technical Handbook (Non-Domestic).



The Building Regulations (Northern Ireland) 2012 (as amended)

Regulation:	23	Fitness of materials and workmanship
Comment:		The system is acceptable. See sections 17.1 and 17.2 and the <i>Installation</i> part of this Certificate.
Regulation:	28(b)	Resistance to moisture and weather
Comment:		The doors have adequate resistance to the ingress of rain and wind-driven spray and so can contribute towards the wall satisfying this Regulation. See section 7.2 of this Certificate.
Regulation:	33(c)	Means of escape
Comment:		Doors fitted with a thumb turn lock can satisfy this Regulation with reference to Technical Booklet E, clause 2.87. See section 13.3 of this Certificate.
Regulation:	39(a)(i)	Conservation measures
Regulation:	40(2)	Target carbon dioxide emission rate
Comment:		The system can contribute to satisfying these Regulations. See section 6.1 of this Certificate.
Regulation:	65(1)	Means of ventilation
Comment:		When calculating the area of door openings for rapid ventilation purposes, see section 8.1 of this Certificate.
Regulation:	91	Access and use
Regulation:	92	Access to extensions
Comment:		Doors fitted with accessible (low) thresholds will contribute to satisfying these Regulations subject to the required opening width. See section 11 of this Certificate.
Regulation:	96	Impact with glazing

Comment: Doors fitted with safety glass can satisfy this Regulation. See section 13.1 of this Certificate.

Construction (Design and Management) Regulations 2015 Construction (Design and Management) Regulations (Northern Ireland) 2016

Information in this Certificate may assist the client, designer (including Principal Designer) and contractor (including Principal Contractor) to address their obligations under these Regulations.

See sections: 3 *Delivery and site handling* (3.3) and *Safety* (13.4) of this Certificate.

Additional Information

NHBC Standards 2019

In the opinion of the BBA, the EuroLogik 70 French Door System, if installed, used and maintained in accordance with this Certificate, can satisfy or contribute to satisfying the relevant requirements in relation to *NHBC Standards*, Chapter 6.7 *Doors, windows and glazing*.

CE Marking

The Certificate holder has taken the responsibility of CE marking the EuroLogik 70 French Door System in accordance with harmonised European Standard BS EN 14351-1 : 2006

Technical Specification

1 Description

1.1 The EuroLogik 70 French Door System comprises two hinged, glazed outward-opening leaves framed in white, cream or woodgrain finish unplasticised polyvinyl chloride (PVC-U) profiles complying with BS EN 12608-1 : 2016 and glazed internally with sealed double-glazed units⁽¹⁾.

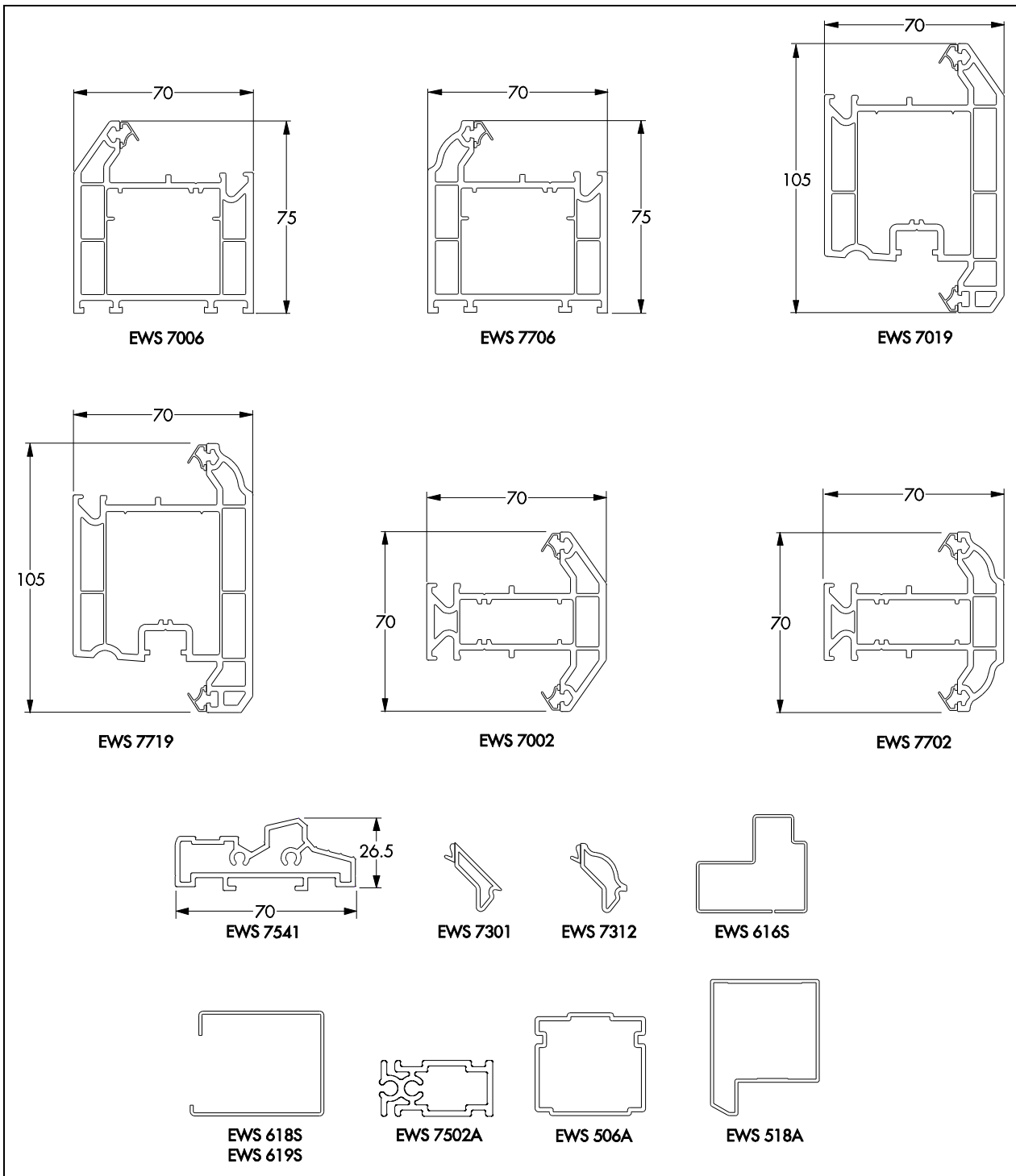
(1) Outside the scope of this Certificate.

1.2 Woodgrain finish profiles are surface-covered with PVC which incorporates a clear acrylic protective lacquer. Profiles are available with the foil applied to both visible faces of a brown or tan PVC-U substrate, or to the exterior face only of a white or cream PVC-U substrate. The profiles covered by this Certificate (listed in Table 1 and shown in Figure 1) are supplied with integral gaskets made from black TPE material, thus eliminating the need for separate weatherseals and glazing gaskets.

Table 1 Profiles

Manufacturer's designation	Profile type	Application
EWS 7006/7706	L-section	outer frame (70 mm) (head, jambs and threshold)
EWS 7019/7719	T-section	leaf
EWS 7002/7702	T-section	French mullion
EWS 7541	—	aluminium low threshold
EWS 7301	—	post calibration co-extruded (PCE) glazing bead
EWS 7312	—	post calibration co-extruded (PCE) glazing bead
EWS 616S	—	galvanized steel reinforcement (1 mm thick) (EWS 7006/7706, jambs)
EWS 618S	—	galvanized steel reinforcement (1 mm thick) (EWS 7019/7719, hinge side)
EWS 619S	—	galvanized steel reinforcement (1 mm thick) (EWS 7019/7719, for lock stile with a cut-out on both sides of reinforcement 310 x 25 mm around centre lock point)
EWS 7502A	—	aluminium reinforcement (1 mm thick) (EWS 7002/7702)
EWS 506A	—	aluminium reinforcement (1.5 mm thick) (EWS 7006/7706, head and threshold)
EWS 518A	—	aluminium reinforcement (1 mm thick) (EWS 7019/7719, head and sill sections)

Figure 1 Profiles (all dimensions in mm)



1.3 The Certificate holder must adhere to the methods of selection, machining and assembly of frame components as detailed in the fabrication instructions and this Certificate.

1.4 The outer frame and leaf frames are connected with welded joints.

1.5 Drainage is provided by a series of slots (5 by 30 mm), positioned in accordance with the fabrication instructions and this Certificate.

Reinforcement

1.6 The head and threshold outer frame members are reinforced with aluminium, and the jambs with galvanized steel, in accordance with the fabrication instructions and this Certificate.

1.7 The head and sill members of door leaves are reinforced with aluminium, and the jambs with galvanized steel, in accordance with the fabrication instructions and this Certificate.

1.8 French mullions are reinforced with aluminium, in accordance with the fabrication instructions and this Certificate.

1.9 Galvanized steel reinforcement is roll-formed from material with a Z275N coating complying with BS EN 10346 : 2015. Aluminium reinforcement is extruded from alloy type 6063-T6 to BS EN 755-2: 2016.

Size range

1.10 This Certificate covers EuroLogik 70 French Doors within the limitations shown in Table 2.

Table 2 Size restrictions

	Dimension (mm)	
	Width	Height
Maximum overall size	1800	2100
Maximum leaf size	850	2000

Furniture and fittings

1.11 BBA-approved hardware must be used with the system.

1.12 Door leaves are hung on three hinges, each fixed to the frame and door leaf with screws penetrating the reinforcement.

1.13 Doors are secured by a multi-point locking mechanism operated by a lever type handle on both sides. The locks are supplied with a one-piece keep and are fitted with a security cylinder mechanism designed to resist picking. The slave leaf incorporates shootbolts at the top and bottom. Handles are available in a variety of finishes.

Glazing

1.14 The doors are supplied factory-glazed or ready for glazing using sealed, double-glazed units⁽¹⁾. The glass thicknesses are in accordance with BS 6262-1 : 2017 or, if required by the national Building Regulations, the glazing units are supplied with toughened or laminated glass in accordance with BS EN 12600 : 2002. All glass used is safety glass (see section 13.1) and is positioned by plastic setting blocks and packing pieces.

(1) Outside the scope of this Certificate.

1.15 The glazing units must satisfy the requirements of BS EN 1279-2 : 2002 and (if relevant) BS EN 1279-3 : 2002.

1.16 NHBC requires⁽¹⁾ that compliance with the Standards referred to in sections 1.14 and 1.15 is confirmed by an appropriate independent technical approvals authority.

(1) *NHBC Standards 2019, Chapter 6.7.7 Glazing, Insulating Glass Units.*

Weatherstripping and gaskets

1.17 The integral black gaskets and weatherstripping are incorporated into the profiles by post-calibration co-extrusion (PCE) (see Figure 1). The double-glazed units are secured by post calibration co-extruded bead.

2 Manufacture

2.1 The system is fabricated using conventional production processes for PVC-U doors.

2.2 As part of the assessment and ongoing surveillance of product quality, the BBA has:

- agreed with the manufacturer the quality control procedures and product testing to be undertaken
- assessed and agreed the quality control operated over batches of incoming materials

- monitored the production process and verified that it is in accordance with the documented process
- evaluated the process for management of nonconformities
- checked that equipment has been properly tested and calibrated
- undertaken to carry out the above measures on a regular basis through a surveillance process, to verify that the specifications and quality control being operated by the manufacturer are being maintained.

2.3 The management system of Unique Window Systems Ltd has been assessed and registered as meeting the requirements of BS EN ISO 9001 : 2008 by the BBA (Certificate 06/Q010).

3 Delivery and site handling

3.1 The doors are delivered to site glazed or ready for glazing. For transportation, they are suitably protected to avoid damage. Particular care is needed to avoid damaging woodgrain finishes, as it may be impossible to restore the appearance.

3.2 The doors should be stored under cover in a clean area, on edge and suitably supported to avoid distortion or damage.

3.3 The weight of the unglazed frame and of the glazing (which can be obtained from the Certificate holder) and their ease of handling, particularly by one person, must be taken into account when planning site operations.

Assessment and Technical Investigations

The following is a summary of the assessment and technical investigations carried out on the EuroLogik 70 French Door System.

Design Considerations

4 Use

The EuroLogik 70 French Door System is satisfactory for use in non-loadbearing applications where doors are installed into the external walls of new and existing dwellings, light commercial premises and similar habitable applications as secondary access doors.

5 Practicability of installation

The system is designed to be installed by a competent general builder, or a contractor, experienced with this type of system.

6 Thermal properties



6.1 The following Eurologik 70 French doors, 2000 mm wide by 2180 mm high, achieved a U value, U_w , of $1.5 \text{ W}\cdot\text{m}^{-2}\cdot\text{K}^{-1}$, when calculated to BS EN ISO 10077-1 : 2017 and BS EN ISO 10077-2 : 2017:

- EWS 7006 outer frame (jambs reinforced with EWS 616S, head and sill with EWS 506A)
- EWS 7019 leaf (reinforced with EWS 618S hinge side, with EWS 619S lock side and with EWS 518A head and sill)
- EWS 7002 French mullion (reinforced with EWS 7502A)
- EWS 7312 glazing bead
- 4/20/4 mm sealed double-glazed unit
 - 20 mm argon-filled cavity (90%)
 - external pane: 4 mm SG clear float
 - internal pane 4 mm SG Planitherm Plus
 - spacer: Edgetech Super Spacer.

6.2 The overall thermal transmittance of the French doors will be dependent on the performance of the double-glazed units. For units other than those described above, the indicative U values shown in Table 6e of SAP 2012 *The*

Government's Standard Assessment Procedure for Energy Rating of Dwellings can be used. When available, a certified U value by measurement to BS EN ISO 12567-1 : 2010, or calculation to BS EN ISO 10077-1 : 2017 and BS EN ISO 10077-2 : 2017, should be used in preference. Alternatively, door energy ratings may be available for specific frame and glazing combinations on the BFRC website (www.bfrc.org).

6.3 Design U values are detailed in the documents supporting the national Building Regulations.

7 Weathertightness

7.1 Selected samples of the system were tested in accordance with BS EN 14351-1 : 2006, BS EN 1026 : 2016, BS EN 1027 : 2016 and BS EN 12211 : 2016 and are suitable for use as indicated in Table 3 of this Certificate. The classifications are based on the assumption that the outer frame is supported on all four sides in accordance with the Certificate holder's instructions.



7.2 The classifications in Table 3 can be used to determine suitability when selecting exposure category, in conjunction with Annex A of BS 6375-1 : 2015.

Table 3 Weathertightness classifications

	Classification according to:			
	Air permeability (BS EN 12207 : 2016)	Watertightness (BS EN 12208 : 2000)	Resistance to wind load (BS EN 12210 : 2016)	Overall UK exposure to BS 6375-1 : 2015
French doors up to maximum size	Class 4 (600 Pa)	Class 7A (300 Pa)	Class A3 (1200 Pa)	1200

7.3 For unusual building layouts, building shapes or ground topography, the designer will need to give particular consideration to the prevailing exposure conditions.

8 Ventilation



8.1 The opening area for natural ventilation may be calculated by subtracting 150 mm from the height, and 150 mm or 374 mm from the width of the French doors, when the master leaf or both leaves are opened respectively.

8.2 The background ventilation requirements of the various national Building Regulations can be satisfied by the incorporation in the door of a suitably sized trickle ventilator⁽¹⁾.

(1) Outside the scope of this Certificate.

9 Unauthorised access

9.1 Doors (fitted with locking mechanisms and features as described in section 1.13) when fastened in the locked position cannot be opened by manipulation from the outside (for example, by the insertion of a thin blade) and can contribute to offering security against intrusion.

9.2 Doors provide adequate security against unauthorised entry by the opportunist intruder, when judged against BS 6375-3 : 2009. Where relevant, reference should be made to *NHBC Standards 2019, Part 6.7 Doors, windows and glazing*.



9.3 Doors as described in the Enhanced Security Sheet (ES1) have been tested in accordance with PAS 24 : 2016, Annexes A and B, and can contribute to satisfying the regulatory requirements for unauthorised access in new dwellings in England and new and existing dwellings in Scotland.

9.4 Glass packing must be carried out according to the Certificate holder's recommendations to prevent forced entry by flexing the frame members, allowing disengagement of the lock mechanism.

9.5 The design of the glazing is such that the removal of the glazing from outside is extremely difficult, as all beads are fitted internally. In addition, the glazing is secured by glazing clips.

10 Glass area



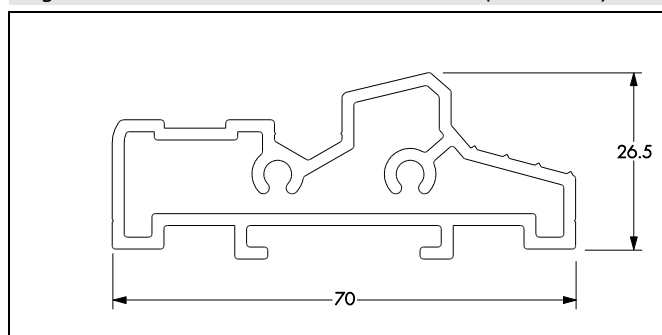
The appropriate unobstructed glass area of the doors is determined by deducting 528 mm and 304 mm from the overall width and height respectively.

11 Access



11.1 Doors can be fitted with an aluminium low threshold designed to satisfy the requirements of the relevant national Building Regulations when suitably installed (see Figure 2).

Figure 2 Low aluminium threshold section (EWS 7541)



11.2 When an external door has the minimum required clear opening width according to the documents supporting the national Building Regulations it will provide access for all persons, including those who require wheelchair access.

12 Condensation risk



12.1 In normal domestic or similar applications, PVC-U doors will not constitute a significant condensation risk when correctly installed.

12.2 Guidance on satisfactory design details is given in *Limiting thermal bridging and air leakage : Robust construction details for dwellings and similar buildings*, TSO 2002 and the Accredited Construction Details. Further information is contained in BRE Report BR 262 : 2002.

13 Safety



13.1 The doors are fitted with safety glass complying with BS EN 12600 : 2002, and therefore satisfy the safety recommendations given in BS 6262-4 : 2018⁽¹⁾.

(1) Dealing with the safety of people upon impact with the glazing.

13.2 The fire resistance of the doors has not been assessed by the BBA.



13.3 When the doors are fitted in an escape route, they should be fitted only with a lock or fastening which is readily operated, without a key, from the side approached by people making an escape; such devices are outside the scope of this Certificate.

13.4 When selecting means of access during the period of installation, for example: use of scaffolding - the safety of the operatives, occupants and passers-by should be considered.

14 Resistance to impact

14.1 Without considering the glass, the doors will be unaffected by the soft body or hard body impacts likely to be encountered in dwellings or similar applications.

14.2 Slamming of the door leaf, such as could occur in high winds, will not cause damage to the door leaf or frame.

15 Ease of operation

The doors can be operated without difficulty when correctly installed.

16 Maintenance



16.1 The doors can be re-glazed, but if the integral gasket is damaged it must be replaced by conventional gaskets and weatherstripping. The use of conventional gaskets and weatherstripping with the system is outside the scope of this Certificate.

16.2 If the gasket of the post calibration co-extruded glazing bead is damaged (for example during re-glazing), it may be necessary to replace the complete bead. Replacements are available from the Certificate holder. These operations should be carried out by specialist operatives using the materials recommended by the Certificate holder and approved by the BBA.

16.3 If damage occurs, the furniture and fittings can be readily replaced.

16.4 The hinges and locking mechanism should be cleaned and lubricated periodically in accordance with the Certificate holder's instructions to minimise wear and to ensure smooth operation. More frequent lubrication may be required depending on the environmental conditions.

16.5 The seal to the building structure may need to be replaced within the life of the doors.

16.6 The PVC-U frame members can be cleaned using a soft sponge and soapy water. Solvent-based, corrosive or abrasive cleaners must not be used, particularly on woodgrain finishes, as the loss of the acrylic lacquer will have a serious effect on durability. If dirt is allowed to build up on the members over long periods it may become more difficult to restore the surface appearance.

16.7 Care should be taken when using proprietary materials for cleaning the glass, to ensure that deposits are not allowed to remain on the PVC-U where they may cause discoloration and damage to the surface. In addition, care must be taken to avoid damage to, or discoloration of, the member when stripping paint from adjacent timber, for example, by means of a blowlamp or paint stripper.

16.8 Repair of the woodgrain foil is outside the scope of this Certificate.

17 Durability



17.1 The PVC-U doors will continue to function satisfactorily for a period in excess of 35 years subject to the necessary maintenance (as described in section 16 of this Certificate).

17.2 The co-extruded glazing beads, gaskets and furniture and fittings, as described in this Certificate, may need to be replaced within the life of the doors, particularly when furniture and fittings are exposed to aggressive environments, such as coastal or industrial locations.

17.3 Any slight colour change or surface dulling of the PVC-U profiles that might occur will be uniform over the visible surfaces of the doors for the white, cream and woodgrain finish, assuming in the latter case that the acrylic lacquer is undamaged.

17.4 Paint can adversely affect the impact strength of the PVC-U frame members and the application of dark colours to white profiles could lead to a risk of thermal distortion. Therefore, paint must not be applied.

18 Reuse and recyclability

The PVC-U, aluminium and steel material can be recycled.

Installation

19 General

19.1 The EuroLogik 70 French Door System must be fixed into the opening, in accordance with the recommendations in BS 8213-4 : 2016, using proprietary expanding anchors through the frame or galvanized steel fixing lugs.

19.2 Openings in new walls should be formed using a suitable template, 10 mm wider and higher than the door to be installed. The door should not be built-in at the construction stage.

19.3 In common with other types of doors fitted to prepared openings, the system must be correctly positioned in relation to vertical damp proof courses to prevent water penetration to the internal reveal.

19.4 The provision of a cavity closer and/or cavity barrier around the door opening, prior to installation, may be required. Details of products covered by an Agrément Certificate can be found on the BBA website (www.bbacerts.co.uk).

Technical Investigations

20 Tests

20.1 Tests were carried out to determine:

- operating forces
- air permeability
- watertightness
- wind load resistance
- resistance to vertical loads
- resistance to static torsion
- slamming resistance
- closure against obstruction
- abusive forces on handles
- resistance to soft and heavy body impact
- resistance to hard body impact
- cyclic operation
- basic security
- enhanced security.

20.2 BBA-approved hardware has been tested to BS EN 1670 : 2007 for resistance to salt spray corrosion.

21 Investigations

21.1 An assessment was made of tests carried out on doors, generally in accordance with BS 7412 : 2007, and on the PVC-U extrusions and woodgrain finish profiles in accordance with BS EN 12608-1 : 2016 and BS 7722 : 2010.

21.2 The thermal transmittance values of the doors were calculated in accordance with BS EN ISO 10077-1 : 2017 and BS EN ISO 10077-2 : 2017.

21.3 The manufacturing process was evaluated, including the methods adopted for quality control, and details were obtained of the quality and composition of the materials used.

Bibliography

BRE Report BR 262 : 2002 *Thermal insulation : avoiding risks*

BS 6262-1 : 2017 *Glazing for buildings — General methodology for the selection of glazing*

BS 6262-4 : 2018 *Glazing for buildings — Code of practice for safety related to human impact*

BS 6375-1 : 2015 + A1 : 2016 *Performance of windows and doors — Classification for weathertightness and guidance on selection and specification*

BS 6375-3 : 2009 + A1 : 2013 *Performance of windows and doors — Classification for additional performance characteristics and guidance on selection and specification*

BS 7412 : 2007 *Specification for windows and doorsets made from unplasticized polyvinyl chloride (PVC-U) extruded hollow profiles*

BS 7722 : 2010 *Surface covered PVC-U profiles for windows and doorsets — Specification*

BS 8213-4 : 2016 *Windows and doors — Code of practice for the survey and installation of windows and external doorsets*

BS EN 755-2 : 2016 *Aluminium and aluminium alloys — Extruded rod/bar, tube and profiles — Mechanical properties*

BS EN 1026 : 2016 *Windows and doors — Air permeability — Test method*

BS EN 1027 : 2016 *Windows and doors — Watertightness — Test method*

BS EN 1279-2 : 2002 *Glass in building — Insulating glass units — Long term test method and requirements for moisture penetration*

BS EN 1279-3 : 2002 *Glass in building — Insulating glass units — Long term test method and requirements for gas leakage rate and for gas concentration tolerances*

BS EN 1670 : 2007 *Building hardware — Corrosion resistance — Requirements and test methods*

BS EN 10346 : 2015 *Continuously hot-dip coated steel flat products for cold forming — Technical delivery conditions*

BS EN 12207 : 2016 *Windows and doors — Air permeability — Classification*

BS EN 12208 : 2000 *Windows and doors — Watertightness — Classification*

BS EN 12210 : 2016 *Windows and doors — Resistance to wind load — Classification*

BS EN 12211 : 2016 *Windows and doors — Resistance to wind load — Test method*

BS EN 12600 : 2002 *Glass in building — Pendulum test — Impact test method and classification for flat glass*

BS EN 12608-1 : 2016 *Unplasticized poly (vinyl chloride) (PVC-U) profiles for the fabrication of windows and doors. Classification, requirements and test methods — Non-coated PVC-U profiles with light coloured surfaces*

BS EN 14351-1 : 2006 + A2 : 2016 *Windows and doors — Product standard, performance characteristics — Windows and external pedestrian doorsets*

BS EN ISO 9001 : 2008 *Quality management systems — Requirements*

BS EN ISO 10077-1 : 2017 *Thermal performance of windows, doors and shutters — Calculation of thermal transmittance — General*

BS EN ISO 10077-2 : 2017 *Thermal performance of windows, doors and shutters — Calculation of thermal transmittance — Numerical method for frames*

BS EN ISO 12567-1 : 2010 *Thermal performance of windows and doors — Determination of thermal transmittance by the hot box method — Complete windows and doors*

PAS 24 : 2016 *Enhanced security performance requirements for doorsets and windows in the UK — External doorsets and windows intended to offer a level of security suitable for dwellings and other buildings exposed to comparable risk*

22 Conditions

22.1 This Certificate:

- relates only to the product/system that is named and described on the front page
- is issued only to the company, firm, organisation or person named on the front page – no other company, firm, organisation or person may hold or claim that this Certificate has been issued to them
- is valid only within the UK
- has to be read, considered and used as a whole document – it may be misleading and will be incomplete to be selective
- is copyright of the BBA
- is subject to English Law.

22.2 Publications, documents, specifications, legislation, regulations, standards and the like referenced in this Certificate are those that were current and/or deemed relevant by the BBA at the date of issue or reissue of this Certificate.

22.3 This Certificate will remain valid for an unlimited period provided that the product/system and its manufacture and/or fabrication, including all related and relevant parts and processes thereof:

- are maintained at or above the levels which have been assessed and found to be satisfactory by the BBA
- continue to be checked as and when deemed appropriate by the BBA under arrangements that it will determine
- are reviewed by the BBA as and when it considers appropriate.

22.4 The BBA has used due skill, care and diligence in preparing this Certificate, but no warranty is provided.

22.5 In issuing this Certificate the BBA is not responsible and is excluded from any liability to any company, firm, organisation or person, for any matters arising directly or indirectly from:

- the presence or absence of any patent, intellectual property or similar rights subsisting in the product/system or any other product/system
- the right of the Certificate holder to manufacture, supply, install, maintain or market the product/system
- actual installations of the product/system, including their nature, design, methods, performance, workmanship and maintenance
- any works and constructions in which the product/system is installed, including their nature, design, methods, performance, workmanship and maintenance
- any loss or damage, including personal injury, howsoever caused by the product/system, including its manufacture, supply, installation, use, maintenance and removal
- any claims by the manufacturer relating to CE marking.

22.6 Any information relating to the manufacture, supply, installation, use, maintenance and removal of this product/system which is contained or referred to in this Certificate is the minimum required to be met when the product/system is manufactured, supplied, installed, used, maintained and removed. It does not purport in any way to restate the requirements of the Health and Safety at Work etc. Act 1974, or of any other statutory, common law or other duty which may exist at the date of issue or reissue of this Certificate; nor is conformity with such information to be taken as satisfying the requirements of the 1974 Act or of any statutory, common law or other duty of care.